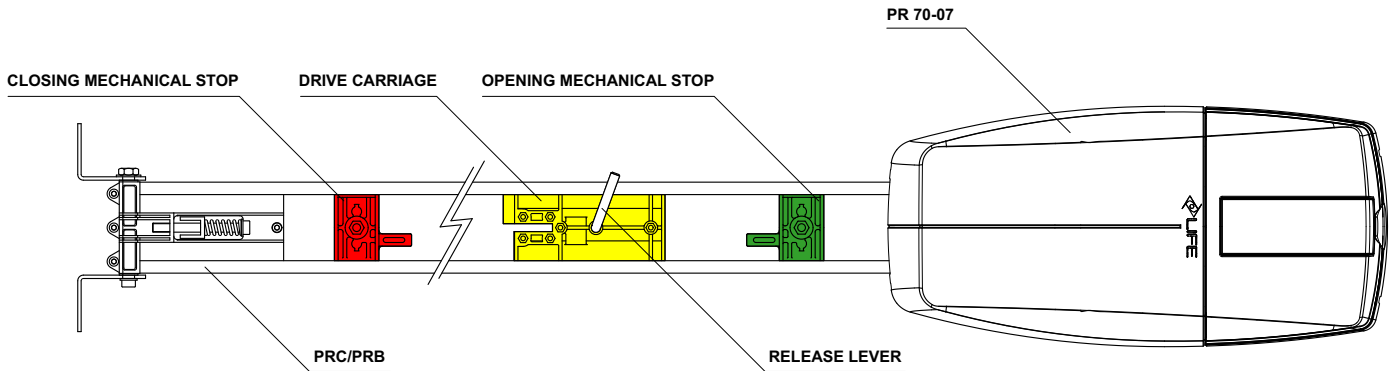
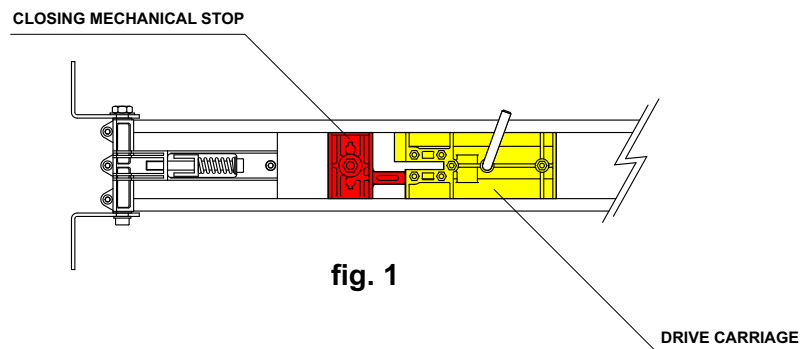


PR 70-07 INSTALLATION

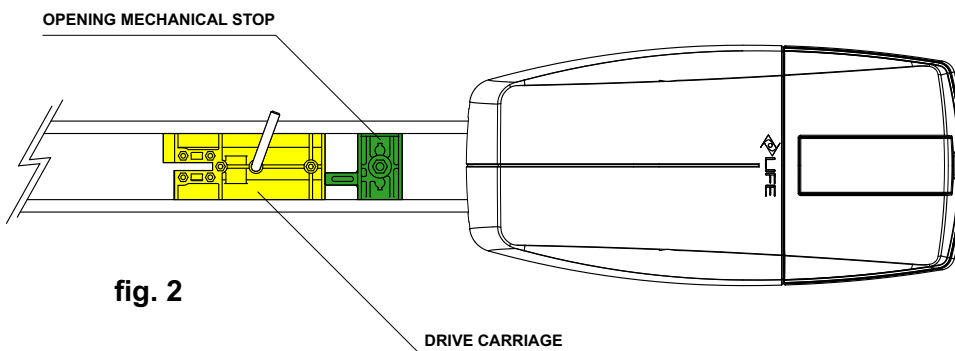


After mounting the **PRC/PRB** and the **PR70-07** on the ceiling, proceed as follows:

- 1) Pull the **RELEASE LEVER** making the gate close, rest the **MECHANICAL STOP** on the **DRIVE CARRIAGE** and then fix the mechanical stop, as shown in **fig. (1)**.

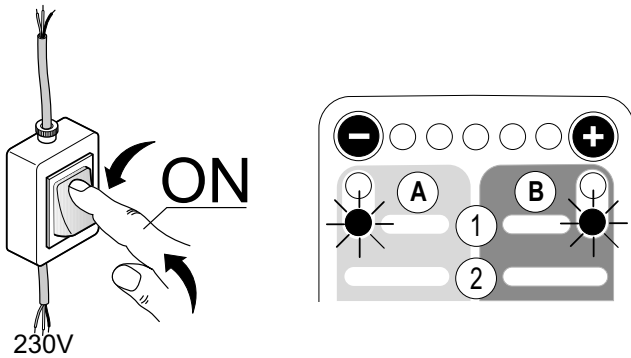


- 2) Open the gate and identify the stop point, then rest the **OPENING MECHANICAL STOP** on the **DRIVE CARRIAGE** and fix the mechanical stop, as shown in **fig. (2)**.



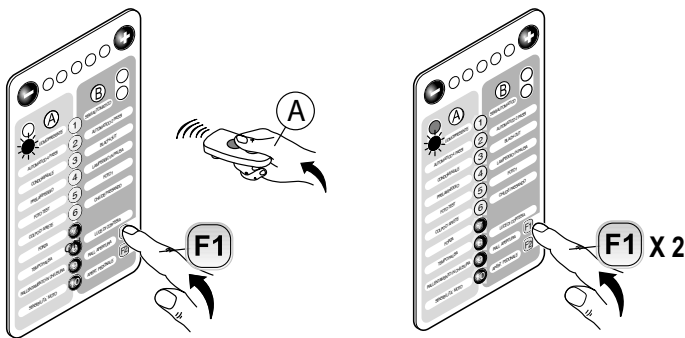
QUICK INSTALLATION PR70-07

PHASE 1



Switch on the system's power supply and check that the two red LEDs flash.

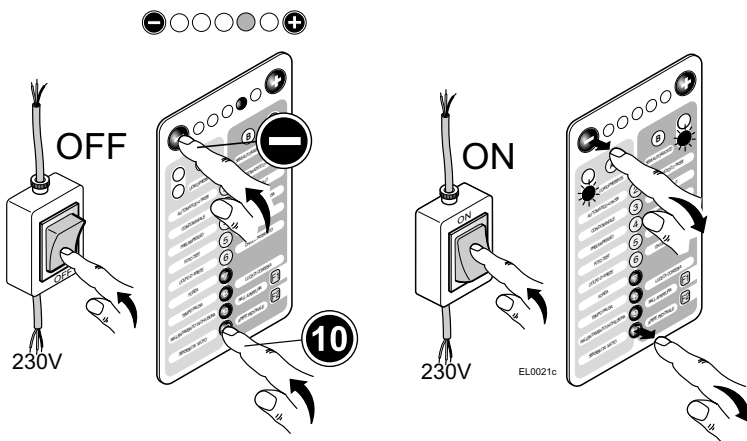
PHASE 2



RADIO CONTROL IDENTIFICATION ON STEP COMMAND (A)

- Press **F1**, the red LED (**SX**) will start to flash,
- Hold down the radio control key until the green LED lights briefly. The green light indicates that the radio control has been identified.
- Wait for 15 secs or press **F1** twice to exit.

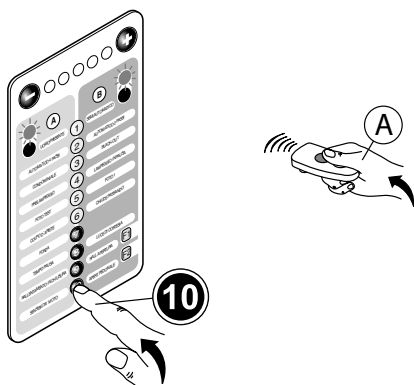
PHASE 3



CARD INITIALISATION

- Switch off power supply.
- Simultaneously press and hold down **-** and **10** switch on the power supply to the system to light the fourth LED.
- Release keys **-** and **10**, the two red LEDs will now flash.

PHASE 4



ONE TOUCH PROGRAMMING

- Press **10**.
- Press the step command key (**A**) on the radio control: the automation will perform, in sequence, a closure, an opening, a closure.
- Having completed the gate(s) close self-programming, the two green LEDs flash and the red ones will remain lit.

The automation is now in **semi-automatic** mode by default. Perform standard installation if you are dissatisfied with the result obtained.

