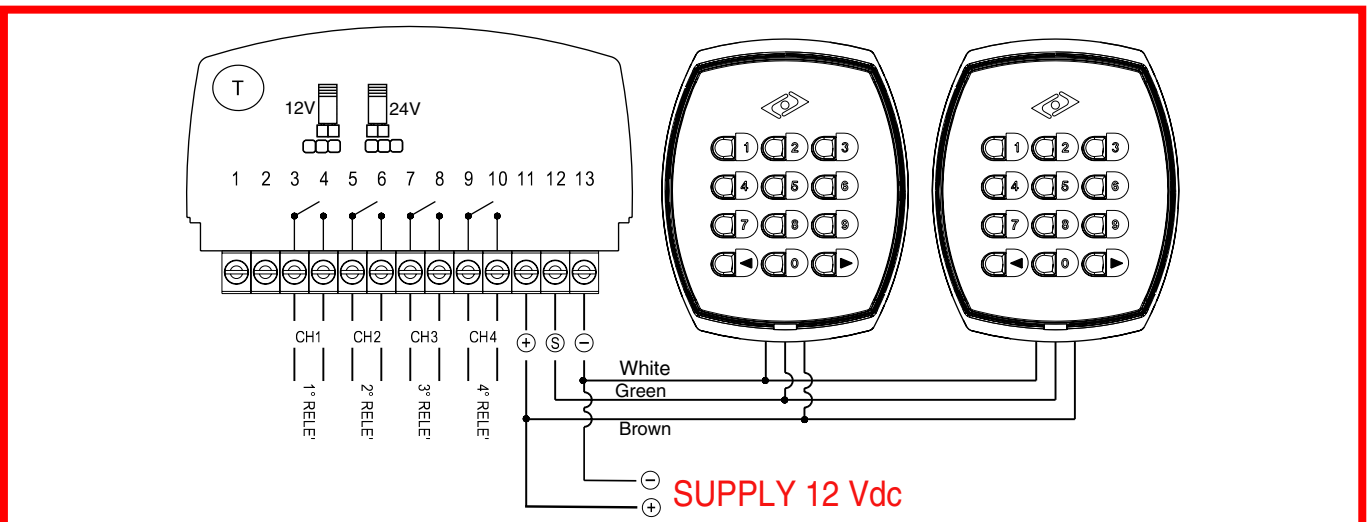
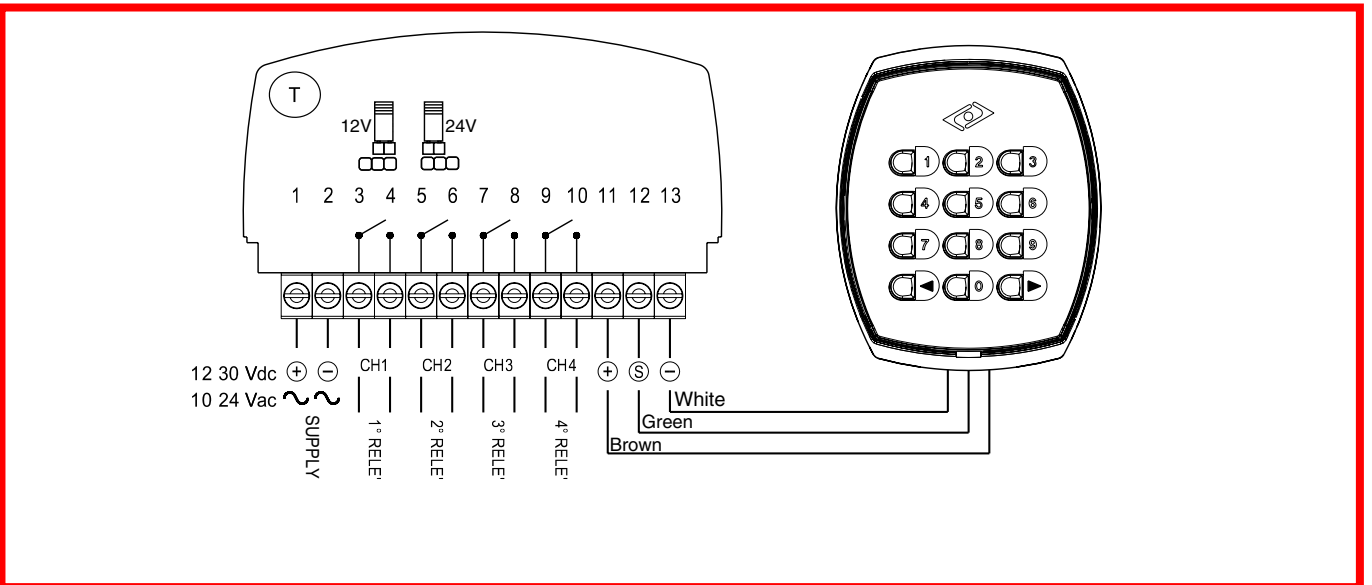
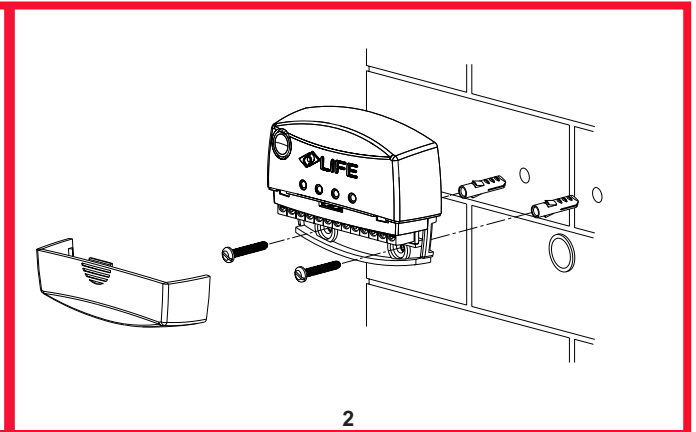
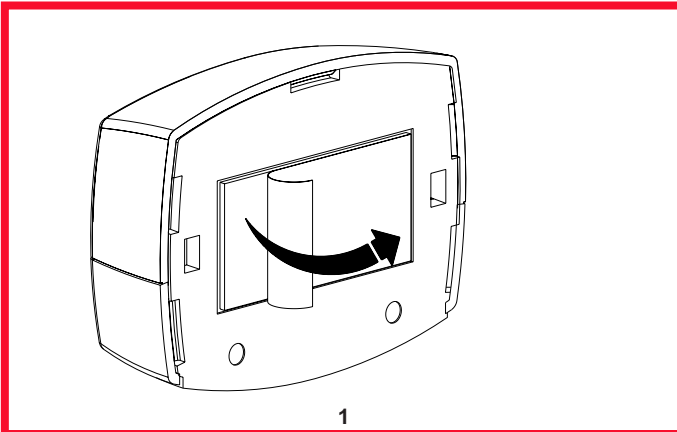


## Decoder for keyboard selector



**N.B.** It is possible to connect more selectors in parallel only by using an external 12Vdc supply to be connected directly to terminal blocks 11 and 13 taking care of the polarity + (11) and - (13) as described in fig

Terminal blocks	Led	Description	
1 - 2		Supply	From 12 to 30 V d.c. - from 10 to 24 V a.c.
3 - 4	L1	Channel 1	Output 1° Relay, contact N.O.
5 - 6	L2	Channel 2	Output 2° Relay, contact N.O.
7 - 8	L3	Channel 3	Output 3° Relay, contact N.O.
9 - 10	L4	Channel 4	Output 4° Relay, contact N.O.
11		Digital selector	+ output supply digital selector (brown)
12			S signal digital selector (green)
13			- output supply digital selector white)

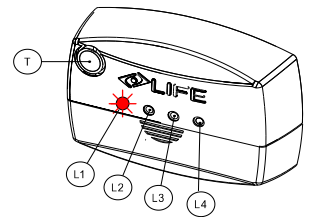
## DECODER CONFIGURATION

The receiver has 4 channels with independent relays that can be programmed N.O. Each single relay can be configured in 4 different modes:

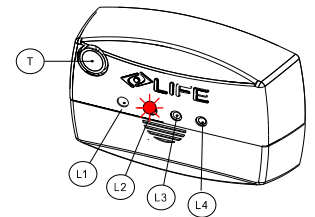
Ⓣ = Button **T**

Ⓛ1 = Relais 1 Ⓛ2 = Relais 2 Ⓛ3 = Relais 3 Ⓛ4 = Relais 4

**Impulsive (monostable):** relay is active during all the session  
Press button **T** until the related LED is on, and memorise transmitter within 15". LED will flash once when memory is effective.  
To exit, press button **T** repeatedly until all LEDs are off, or wait 15".



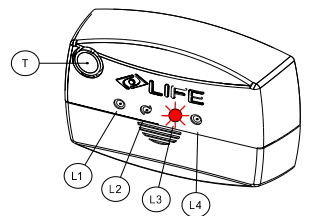
**Step-by-step (bistable):** relay is active when it receives the command, and desactivates at next command. Press button **T** until the related LED is on, and keep **T** button pressed, and memorise transmitter within 15". LED will flash once when memory is effective. To exit, press button **T** repeatedly until all LEDs are off, or wait 15".



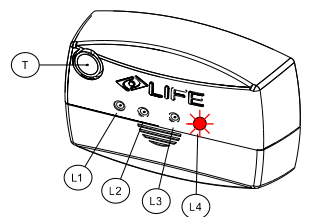
**Brief temporizing:** The relay is active when it receives the command, and remains active for approximately 30". If a further command is given, counting time re-starts. Press button **T** until the related LED is on. With red LED on, press button **T** and keep pressed for 5" until LED slowly flashes.

Memorise transmitter within 15".

All LEDs will flash when memory is effective. To exit, press button **T** repeatedly until all LEDs are off, or wait 15".



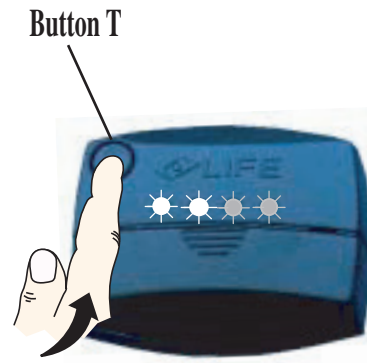
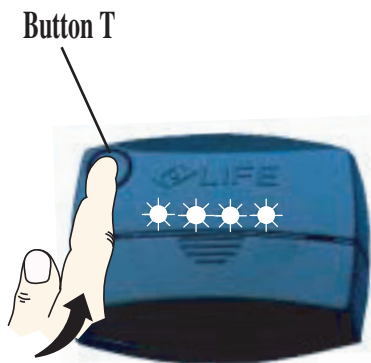
**Long temporizing:** The relay is active when it receives the command, and remains active for approximately 3'. If a further command is given, counting time re-starts. Press button **T** until the related LED is on. Press button **T** and keep pressed for 5" until LED slowly flashes. Keep **T** button pressed and then memorise transmitter within 15". All LEDs will flash when memory is effective. To exit, press button **T** repeatedly until all LEDs are off, or wait 15".





# TOTAL CANCELLING OF THE DECODER'S MEMORY

Press T button thoroughly until LEDs flash quickly.  
Release and re-press T button, LED will flash slowly in a alternative way.  
All LEDs will turn off when delete is effective.



---

## TECHNICAL DATA

DECODER DIX	
SUPPLY	12 ÷ 30 V d.c. / 10 ÷ 24 V a.c.
ABSORPTION	min. 20 mA / max. 100 mA
RELAY CONTACT	normaly open - max 50V 0,5A
N° CHANNEL (RELAY)	4
KEYBOARDS THAT CAN BE CONNECTED	max.1 (DIXIN o - DIXES)
FUNCTIONING TEMPERATURE	-20 ÷ +70 °C
IP PROTECTION DEGREE	30
MEMORY (N° CODES)	750





**GB**

**MANUFACTURER'S DECLARATION OF  
CE CONFORMITY**



under Directive 98/37/CE, appendix II, part B  
(manufacturer's declaration of CE conformity)

**LIFE home integration S.r.l.**  
**Via Sandro Pertini 3/5**  
**31014 COLLE UMBERTO (TV) – Italia**

declares that the following product:

**Decoder for keyboard selector**  
**DIX**

**satisfies the essential requisites  
established in the following directives:**

- Machinery 98/37/CE (ex 89/392/CEE) and successive modifications,
- Low voltage directive 73/23/EEC and subsequent amendments,
- Electromagnetic compatibility directive 89/336/EEC and subsequent amendments

**and satisfies the following standards:**

EN 12445:2000 - EN 12453:1998 -  
EN 954-1:1998

COLLE UMBERTO

Name of bearer:

Michele Rui

Qualified as:

PRESIDENT

Firma:



Address: Via Sandro Pertini,3/5 31014 COLLE UMBERTO (TV) Italia

Telephone: + 39 0438 388592

Telefax: + 39 0438 388593

http: [www.homelife.it](http://www.homelife.it)

e-mail: [info@homelife.it](mailto:info@homelife.it)

